

DESIGN

LACRIMA

Installation guide

Two handle freestanding bath mixer

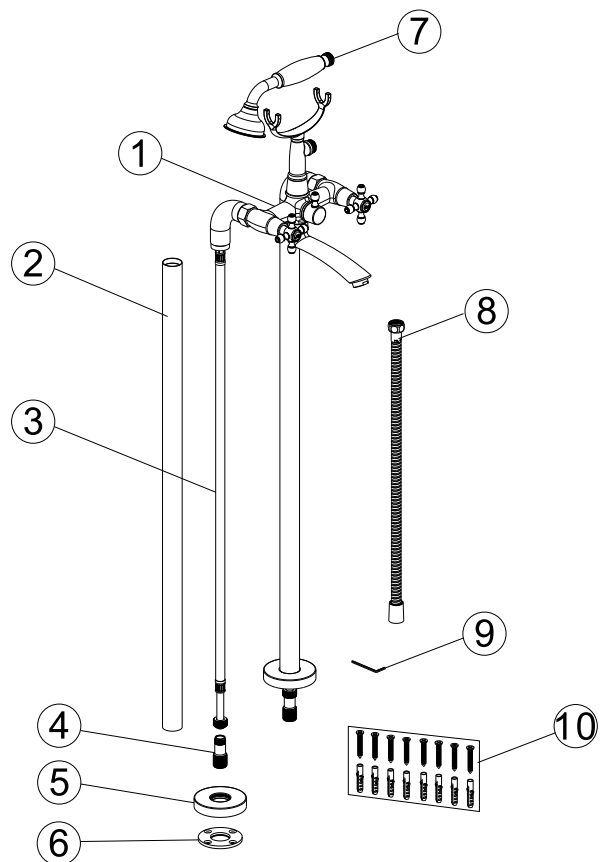
Please check the list of accessories here below and contact our company or our distributor for any discrepancy

Remarks:

1. Accessories may be modified without notice, without affecting their performance;
2. Drawings are for reference only. Product size and shape may not correspond to actual mixer.

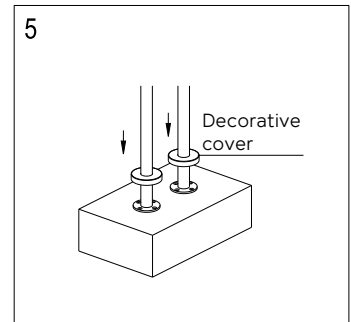
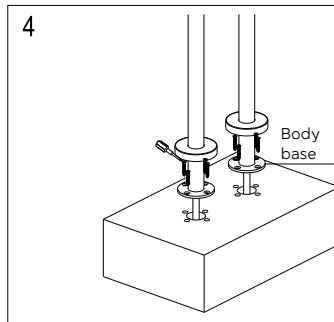
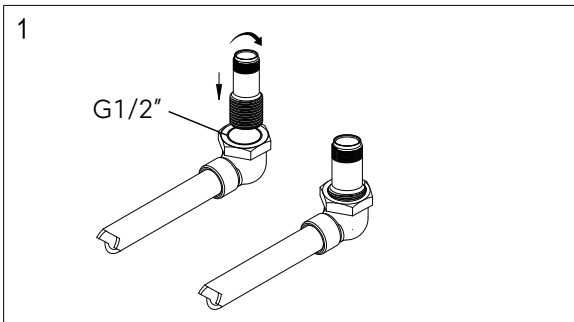
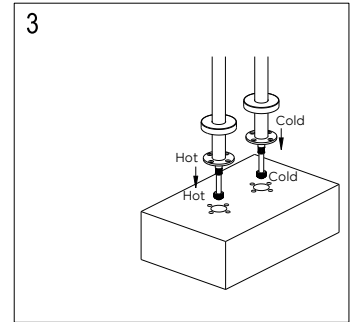
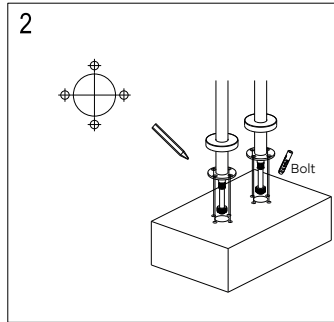
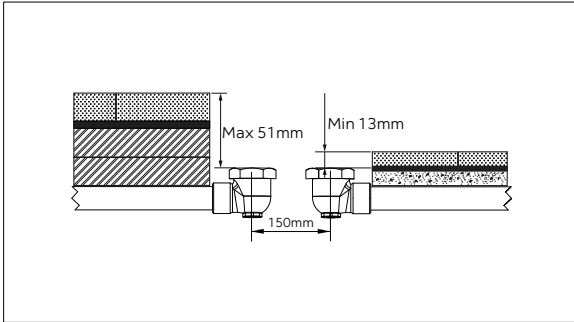
List of the standard accessories:

Part number	Accessory list
1	Main body
2	Brass tube
3	Flexible hose
4	Connector
5	Cover
6	Fixed base
7	Hand shower
8	Shower hose
9	Allen key
10	Screw



DESIGN

Assembly bath mixer:



Dimensions:

