

DESIGN

MEANDRO

Installation guide

Single lever concealed shower mixer

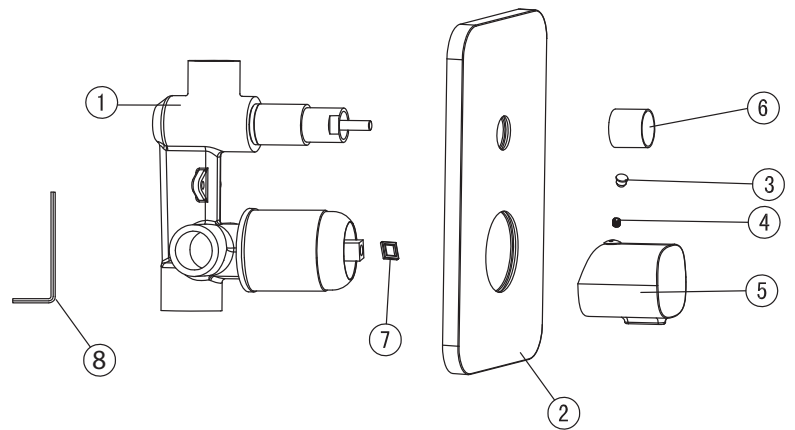
Please check the list of accessories here below and contact our company or our distributor for any discrepancy

Remarks:

1. Accessories may be modified without notice, without affecting their performance;
2. Drawings are for reference only. Product size and shape may not correspond to actual mixer.

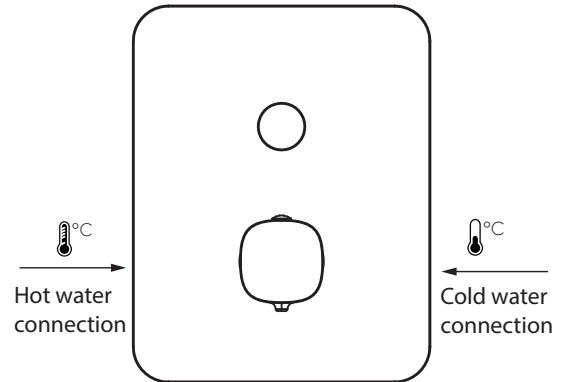
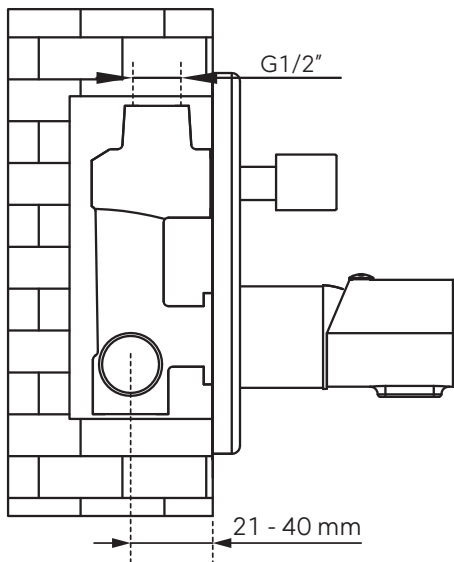
List of the standard accessories:

Part number	Accessory list
1	Main body
2	Welding plate
3	Decorative button
4	Allen screw
5	Handle
6	Knob
7	White plastic pad
8	Allen key



DESIGN

Assembly shower mixer:



Dimensions:

