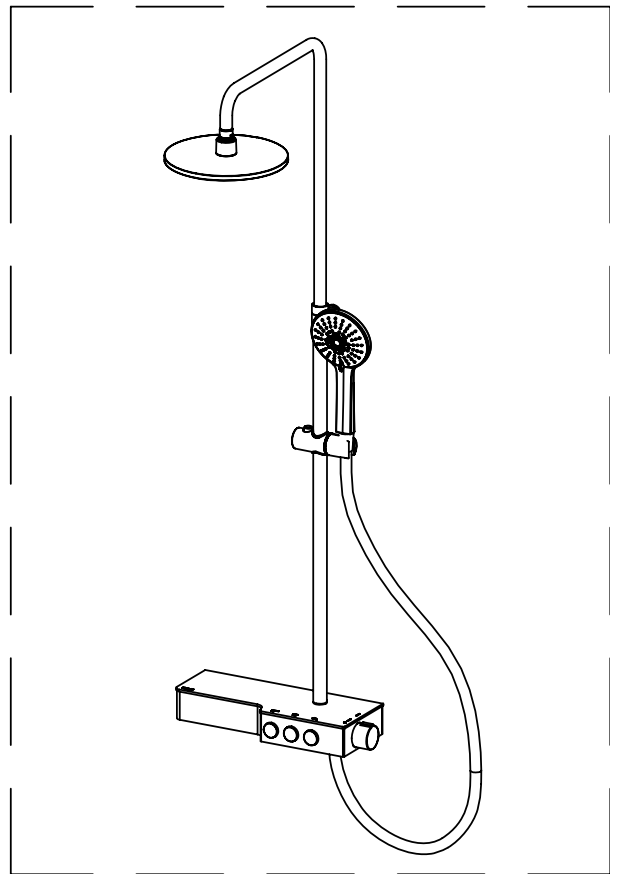
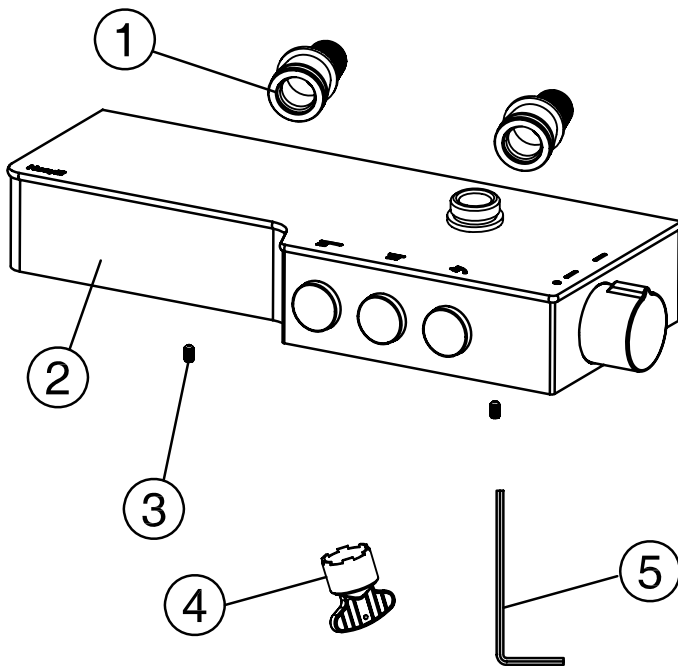


INSTALLATION INSTRUCTION SINGLE LEVER BATH-SHOWER MIXER



Code	The Accessory List	Quantity
1	Eccentric nut	2
2	Main body	1
3	Screw	2
4	Aerator wrench	1
5	Allen key	1

